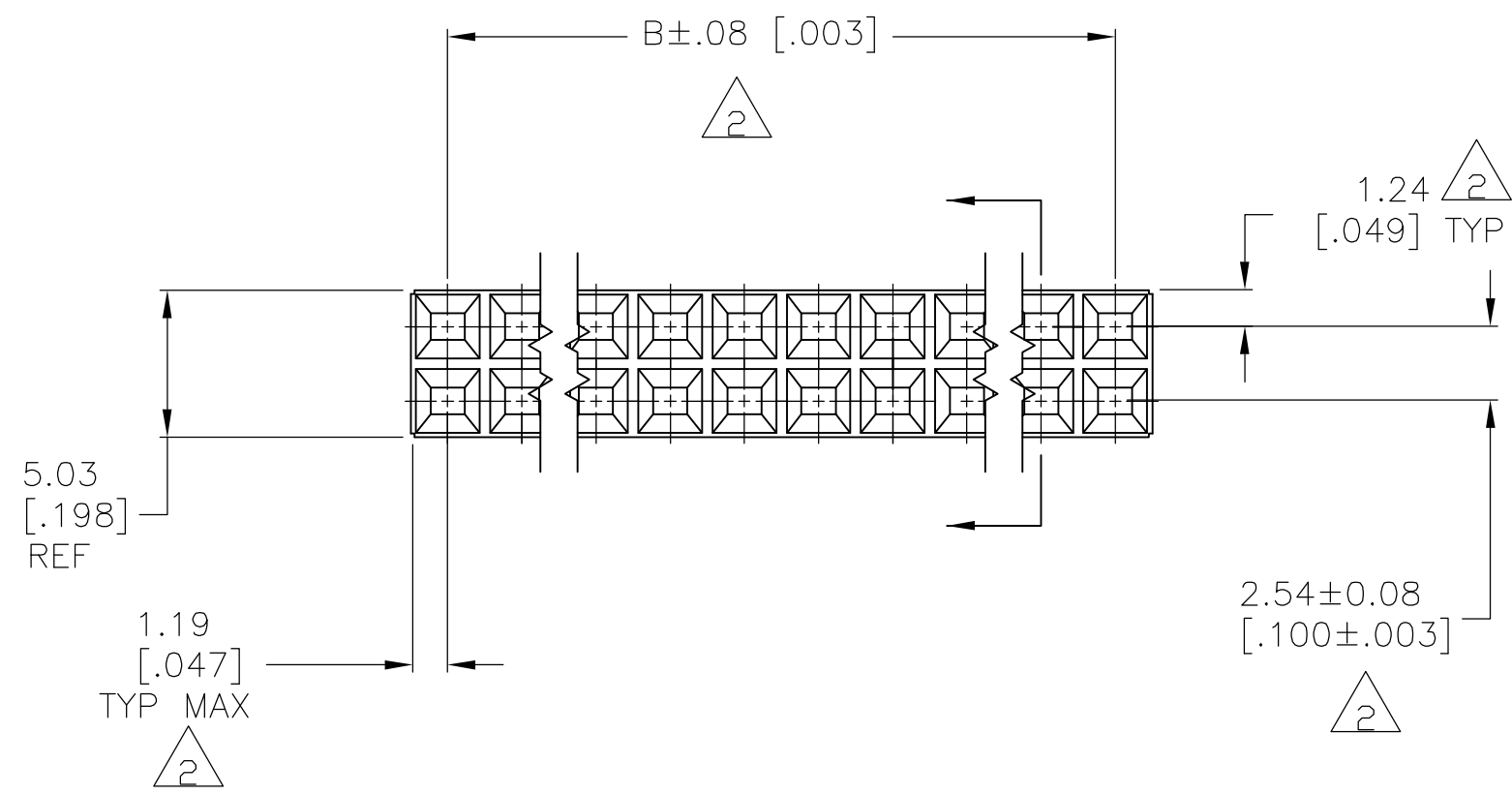
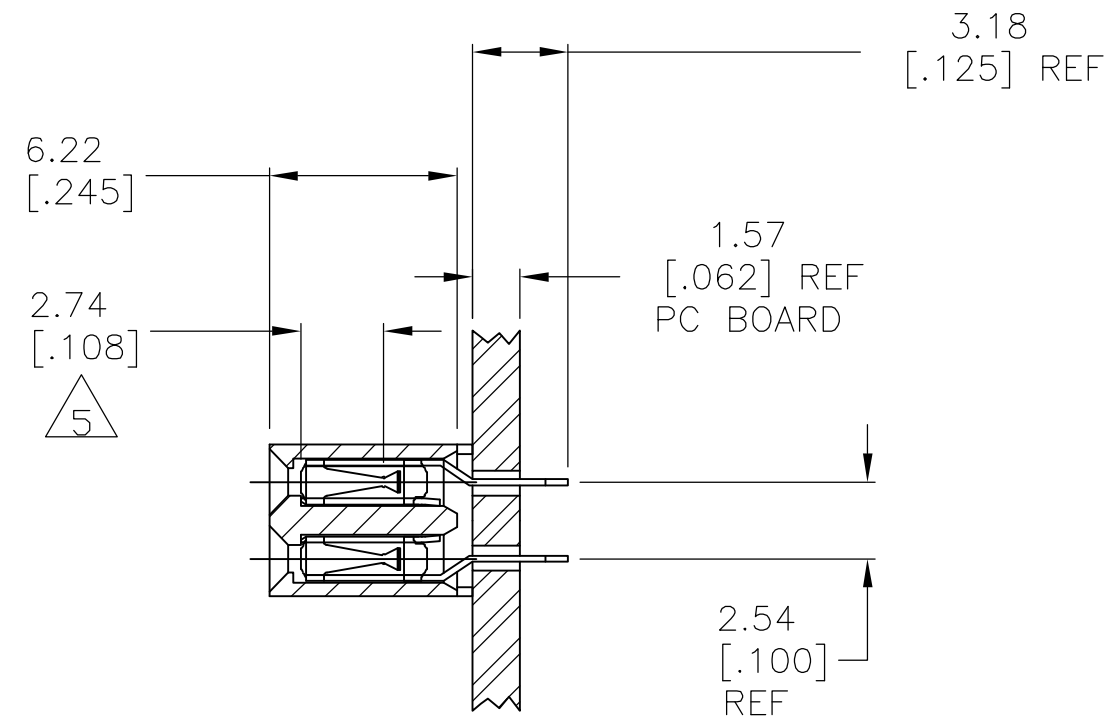
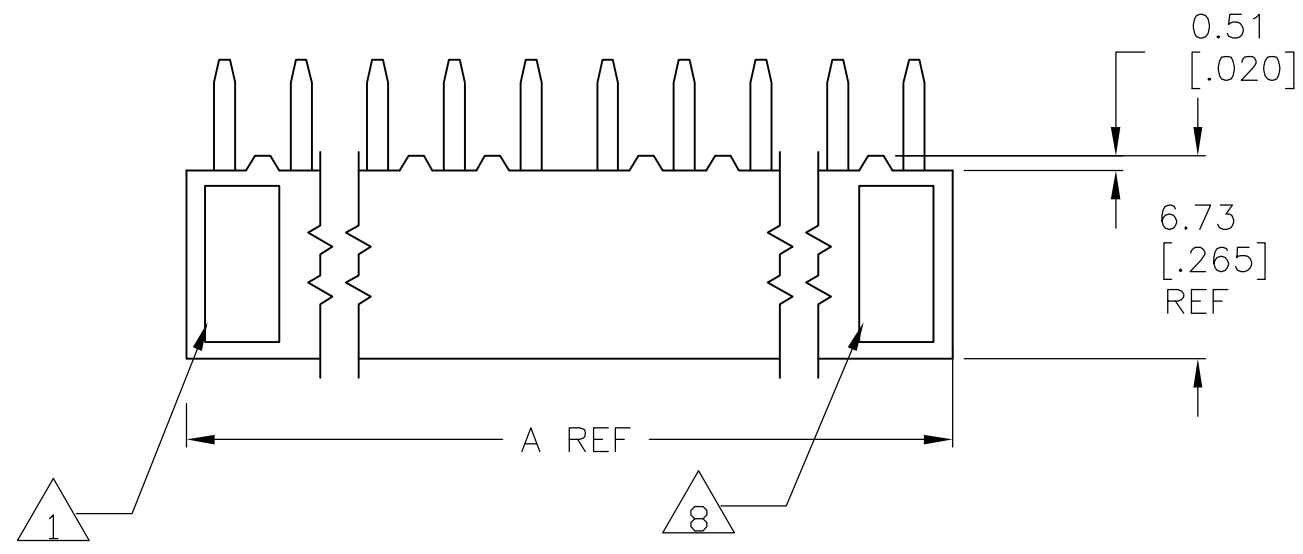
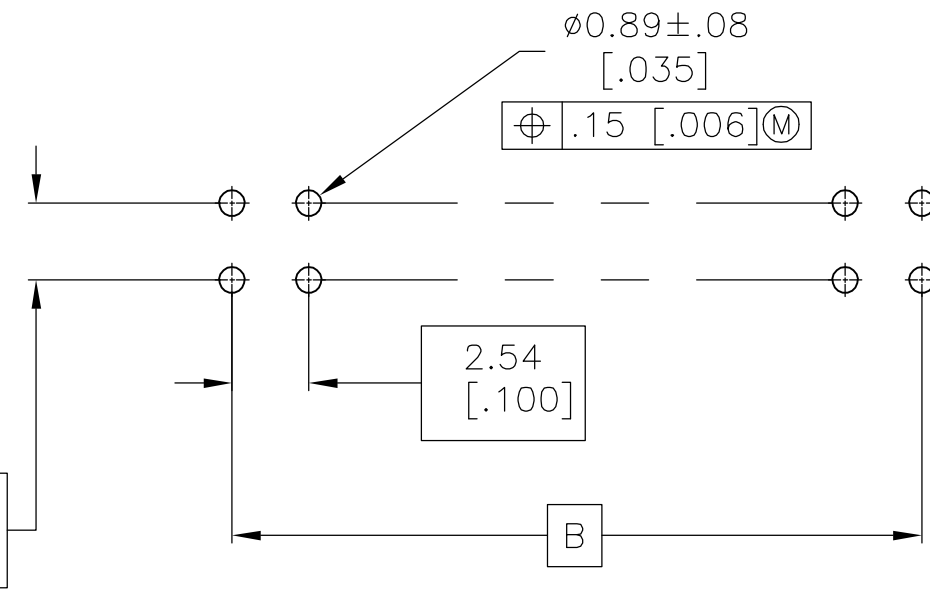


THIS DRAWING IS UNPUBLISHED. RELEASED FOR PUBLICATION  
 © COPYRIGHT BY TYCO ELECTRONICS CORPORATION. ALL RIGHTS RESERVED.

LOC		DIST		REVISIONS			
P	LTR	DESCRIPTION		DATE	DWN	APVD	
	G	EC 0G3C 0808 04		15JAN05	BSV	RB	



SECTION X-X



RECOMMENDED PC BD LAYOUT

9	35.56 [1.400]	37.97 [1.495]	30	10	5-146219-8
9	27.94 [1.100]	30.35 [1.195]	24	10	5-146219-7
9	99.06 [3.900]	101.47 [3.995]	80	10	5-146219-6
9	73.66 [2.900]	76.07 [2.995]	60	10	5-146219-5
9	48.26 [1.900]	50.67 [1.995]	40	10	5-146219-4
9	22.86 [.900]	25.27 [.995]	20	10	5-146219-3
9	10.16 [.400]	12.57 [.495]	10	10	5-146219-2
9	-	2.41 [.095]	2	10	5-146219-1
4	35.56 [1.400]	37.97 [1.495]	30		146219-8
4	27.94 [1.100]	30.35 [1.195]	24		146219-7
4	99.06 [3.900]	101.47 [3.995]	80		146219-6
4	73.66 [2.900]	76.07 [2.995]	60		146219-5
4	48.26 [1.900]	50.67 [1.995]	40		146219-4
4	22.86 [.900]	25.27 [.995]	20		146219-3
4	10.16 [.400]	12.57 [.495]	10		146219-2
4	-	2.41 [.095]	2		146219-1
FINISH	B	A	NO OF POSN		PART NUMBER

- 1 DATE CODE AND PART NUMBER ARE MARKED IN APPROXIMATE LOCATION SHOWN.
- 2 THESE DIMENSIONS PERTAIN TO CAVITY CENTERLINES ONLY, NOT TO CONTACT LOCATIONS
- 3 TOLERANCE IS NON-CUMULATIVE
- 4 DUPLEX PLATED: .000030 GOLD ON CONTACT AREA ONLY, .000150-.000300 BRIGHT TIN-LEAD ON SOLDER LEADS, ALL OVER .000050 MIN NICKEL.
- 5 POINT OF MEASUREMENT FOR PLATING THICKNESS (INSIDE CONTACT BEAMS)
- 6 HSG: FLAME RETARDANT POLYESTER PCT, COLOR:BLACK
- 7 CONTACT: PHOS. BRONZE
- 8 TYCO LOGO AND CSA LOGO ARE MOLDED INTO HOUSING.
- 9 DUPLEX PLATED: .000030 GOLD ON CONTACT AREA ONLY, .000150-.000300 MATTE TIN ON SOLDER LEADS, ALL OVER .000050 MIN NICKEL.
- 10 ROHS 2002 /95/EC COMPLIANT.
- 11 NO PART NUMBER MARKING REQUIRED ON THIS PART.
- 12 2 POSITION PART HAS THE DATE CODE OPPOSITE OF TYCO LOGO.

THIS DRAWING IS A CONTROLLED DOCUMENT.

DIMENSIONS: mm [INCHES]	TOLERANCES UNLESS OTHERWISE SPECIFIED:	DWN J KNAUB 12-12-94	Tyco Electronics Corporation Harrisburg, Pa 17105-3608
	0 PLC ± -	CHK A GABANY 12-12-94	
	1 PLC ± -	APVD A GABANY 12-12-94	
	2 PLC ± -	PRODUCT SPEC	
MATERIAL	FINISH	APPLICATION SPEC	NAME ASSEMBLY, MOD IV, DBL ROW, .100 X .100 VERTICAL MOUNTED, CLOSED ENTRY
		WEIGHT -	SIZE A2 CAGE CODE 00779 DRAWING NO C=146219 RESTRICTED TO -
		CUSTOMER DRAWING	SCALE 4:1 SHEET 1 OF 1 REV G